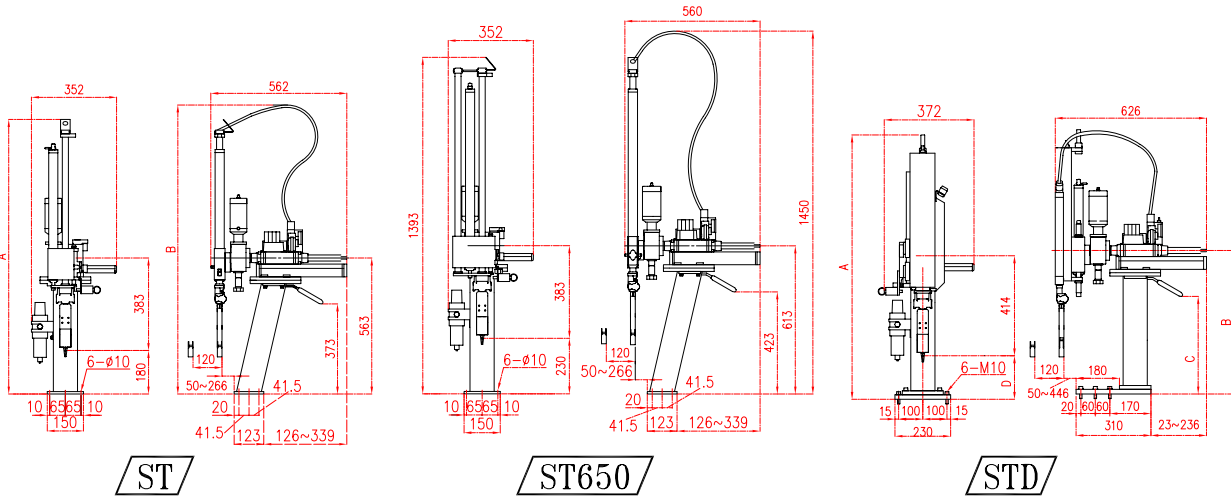


Mechanical Drawings

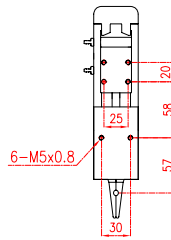
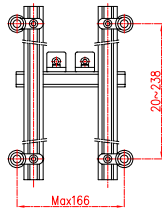


ST

ST650

STD

Model No.	A	B
ST450/STV450	1136	1230
ST550/STV550	1236	1330



Model No.	A	B	C	D
ST550D/STV550D	1094	594	403	180
ST650D/STV650D	1194	644	453	230
ST750D/STV750D	1294	694	503	280
ST850D/STV850D	1394	744	553	330
ST950D/STV950D	1494	794	603	380

Technical Specifications

Model No.		Dry Cycle (Sec.)		I.M.M. Range (Tonne)	Vertical Stroke (mm)	Net Weight (Kgs)	Comp. Air Consumption (NL/Cycle)
		Take-out	Cycle				
ST450	Single-Stage	0.7	3.4	25~125	450	39	12
STV450	Single-Stage						
ST550	Single-Stage	0.7	3.7	60~150	550	40	14
ST550D	Telescopic						
STV550	Single-Stage	0.7	3.7	125~250	650	41	19
STV550D	Telescopic						
ST650	Single-Stage	0.6	3.6	200~350	750	51	14.5
ST650D	Telescopic						
STV650	Single-Stage	0.6	3.6	300~450	850	44	16.5
STV650D	Telescopic						
ST750D	Telescopic	0.8	3.8	400~700	950	53	10.5
STV750D	Telescopic						
ST850D	Telescopic	1.0	4.0	55	750	45	21.5
STV850D	Telescopic						
ST950D	Telescopic	1.2	4.2	57	850	54	15.5
STV950D	Telescopic						
ST950D	Telescopic	1.2	4.2	59	950	58	17.5
STV950D	Telescopic						
ST950D	Telescopic	1.2	4.2	60	950	59	13.5
STV950D	Telescopic						

Strip Stroke : 120mm

Operation Voltage : Single Phase 220V 50/60 HZ 1A

MAX. Payload : 3 kg

Compressed Air : 4~6 kg/cm²