



Deumidificatori serie DH50-250 DH50-250 dessicant dryers (Howey comb systems)

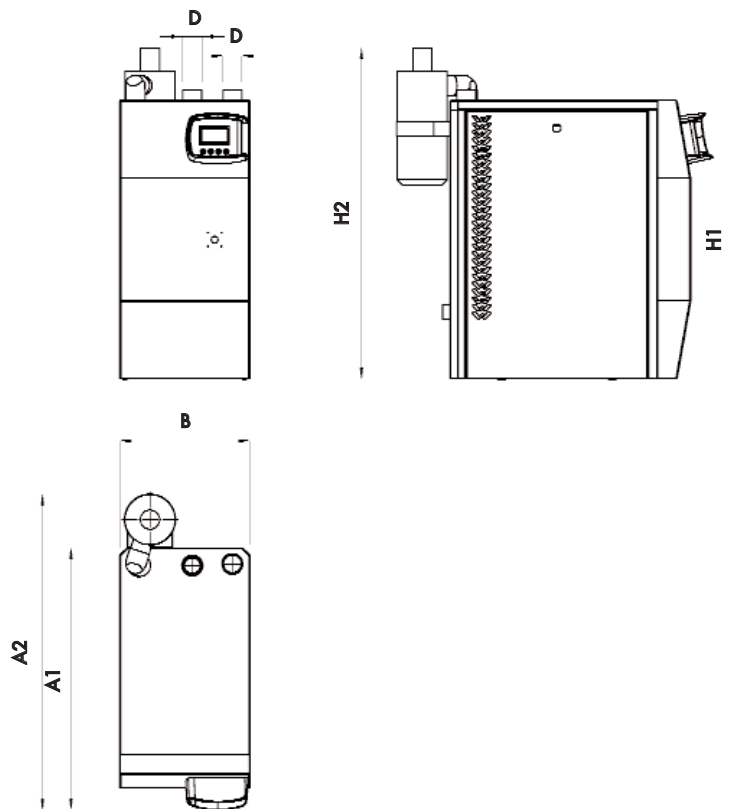


Caratteristiche Tecniche - Technical Specifications

		DH50	DH80	DH160	DH250
Portata aria/Air flow	m ³ /h	50	80	160	250
Temperatura processo Process temperature	NT °C	-	-	-	-
	MT °C	60-150	60-150	60-150	60-150
	HT °C	-	-	-	-
Dew point	°C	-50	-50	-50	-50
Pressione statica/Static pressure	mbar	-	-	-	-
Pot. soff. proc./Blow. power of proc.	kW	0.135	0.45	0.9	1.1
Pot. soff. rigen./Blow. power of regen.	kW	0.01	0.01	0.135	0.135
Potenza riscaldamento processo Power heating process	NT kW	-	-	-	-
	MT kW	2.5	3.5	7	9
	HT kW	-	-	-	-
Pot. risc. rigen./Power heating regen.	kW	1.5	1.5	3.5	5
Potenza totale installata Installed power total	NT kW	-	-	-	-
	MT kW	4.2	5.5	11.5	15.3
	HT kW	-	-	-	-
Pot. media assor. a 80°C/Abs. med. pow. at 80°C	kW	1.4	2.3	4.9	7.3
Tensione/Voltage	V/Hz	230/50	230/50	230/50	230/50
Peso/Weight	kg	40	42	70	80



Deumidificatori serie DH50-250
DH50-250 dessicant dryers
 (Howey comb systems)



Abbinamenti - Combinations

	DH50	DH80	DH160	DH250
H75	•			
H100	•			
H150		•		
H200		•		
H300			•	
H400			•	
H600				•

Dimensioni - Dimensions

		DH50	DH80	DH160	DH250
A1-A2	mm	694-836	694-836	694-836	694-836
B	mm	344	344	344	344
H1-H2	mm	737-877	737-877	737-877	737-877
D	mm	50	50	70	70



Deumidificatori serie D800-D802 D800-D802 dessicant dryers

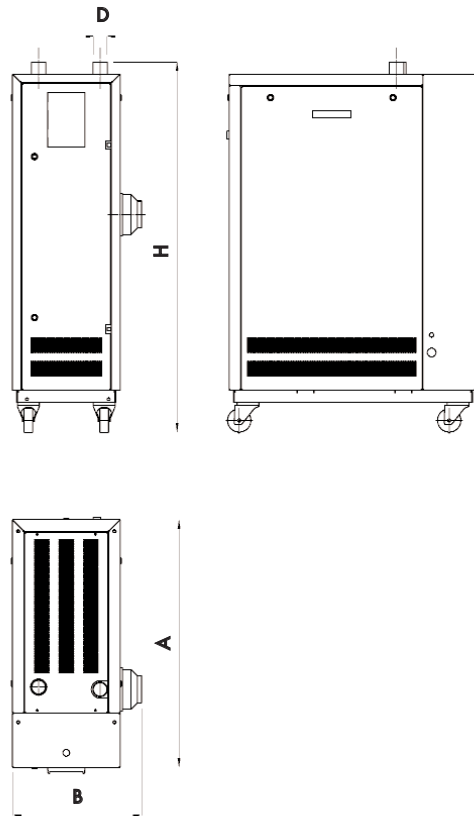


Caratteristiche Tecniche - Technical Specifications

		D800	D801	D802
Portata aria/Air flow	m ³ /h	80	120	150
Temperatura processo Process temperature	NT °C	-	-	-
	MT °C	60-150	60-150	60-150
	HT °C	60-190	60-190	60-190
Dew point	°C	-40	-40	-40
Pressione statica/Static pressure	mbar	160	170	150
Pot. soff. proc./Blow. power of proc.	kW	0.75	1.3	1.6
Pot. soff. rigen./Blow. power of regen.	kW	-	-	-
Potenza riscaldamento processo Power heating process	NT kW	-	-	-
	MT kW	2	3.5	3.5
	HT kW	3.5	5	5
Pot. risc. rigen./Power heating regen.	kW	1.5	1.5	2.0
Potenza totale installata Installed power total	NT kW	-	-	-
	MT kW	4.25	6.3	7.1
	HT kW	5.25	7.8	8.6
Pot. media assor. a 80 °C/Abs. med. pow. at 80 °C	kW	2	2.7	3.2
Tensione/Voltage	V/Hz	400/50	400/50	400/50
Peso/Weight	kg	110	120	135



Deumidificatori serie D800-802 D800-802 dessicant dryers



Abbinamenti - Combinations

	D800	D801	D802
H100	•		
H150	•	•	
H200		•	
H300			•
H400			•

Dimensioni - Dimensions

		D800	D801	D802
A	mm	850	850	850
B	mm	443	443	443
H	mm	1269	1269	1269
D	mm	50	50	50



Deumidificatori serie D803-D805 D803-D805 dessicant dryers

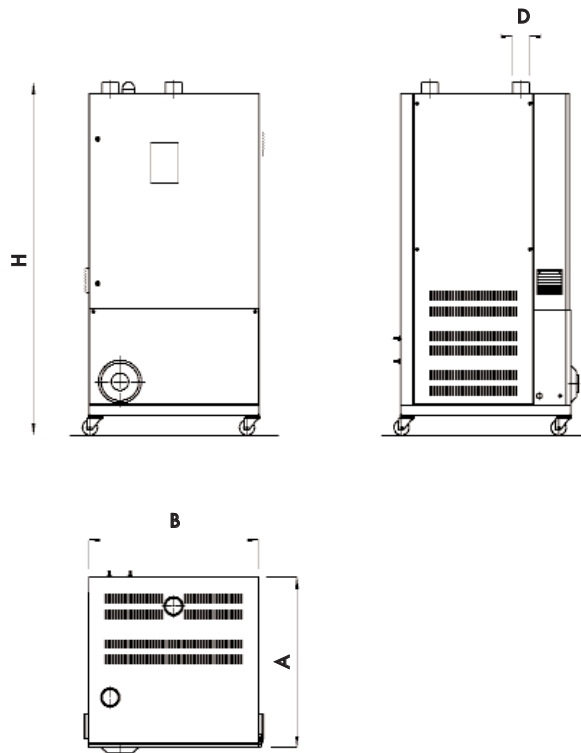


Caratteristiche Tecniche - Technical Specifications

		D803	D804	D805
Portata aria/Air flow	m ³ /h	300	400	500
Temperatura processo Process temperature	NT °C	60-100	60-100	60-100
	MT °C	60-150	60-150	60-150
	HT °C	60-190	60-190	60-190
Dew point	°C	-40	-40	-40
Pressione statica/Static pressure	mbar	250	200	250
Pot. soff. proc./Blow. power of proc.	kW	3	4	5.5
Pot. soff. rigen./Blow. power of regen.	kW	0.2	-	-
Potenza riscaldamento processo Power heating process	NT kW	3.6	7.2	10.8
	MT kW	7.2	10.8	14.4
	HT kW	10.8	14.4	18
Pot. risc. rigen./Power heating regen.	kW	3.5	5	5
Potenza totale installata Installed power total	NT kW	10.3	16.2	21.3
	MT kW	13.9	19.8	24.9
	HT kW	17.5	23.4	28.5
Pot. media assor. a 80°C/Abs. med. pow. at 80°C	kW	6	7	8.5
Tensione/Voltage	V/Hz	400/50	400/50	400/50
Peso/Weight	kg	190	350	370



Deumidificatori serie D803-805 D03-805 dessicant dryers



Abbinamenti - Combinations

	D803	D804	D805
H600	•		
H800	•	•	
H1200		•	•
H1500			•

Dimensioni - Dimensions

		D803	D804	D805
A	mm	900	900	900
B	mm	900	900	900
H	mm	1800	1800	1800
D	mm	63	89	89



Deumidificatori serie D803P-D805P D803P-D805P dessicant dryers (Dual blower closed loop system)

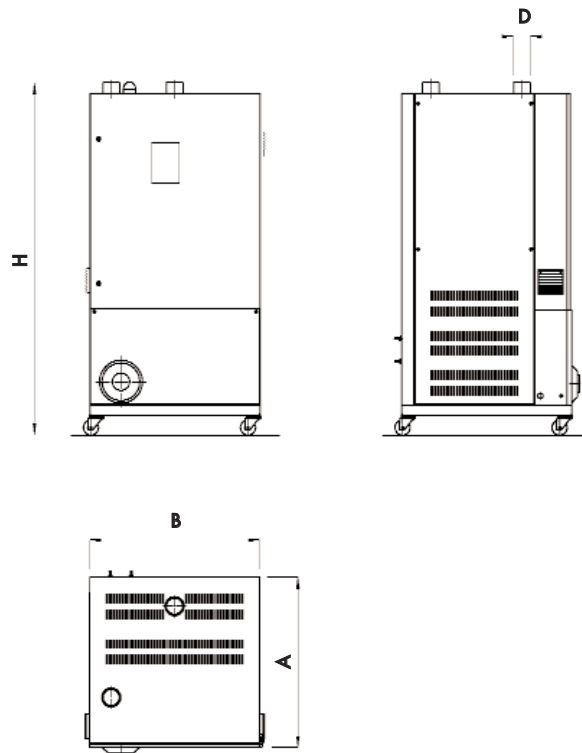


Caratteristiche Tecniche - Technical Specifications

		D803P	D804P	D805P
Portata aria/Air flow	m ³ /h	300	400	500
Temperatura processo Process temperature	NT °C	60-100	60-100	60-100
	MT °C	60-150	60-150	60-150
	HT °C	60-190	60-190	60-190
Dew point	°C	-40	-40	-40
Pressione statica/Static pressure	mbar	250	200	250
Pot. soff. proc./Blow. power of proc.	kW	3	4	5.5
Pot. soff. rigen./Blow. power of regen.	kW	0.2	-	-
Potenza riscaldamento processo Power heating process	NT kW	3.6	7.2	10.8
	MT kW	7.2	10.8	14.4
	HT kW	10.8	14.4	18
Pot. risc. rigen./Power heating regen.	kW	3.5	5	5
Potenza totale installata Installed power total	NT kW	10.3	16.2	21.3
	MT kW	13.9	19.8	24.9
	HT kW	17.5	23.4	28.5
Pot. media assor. a 80°C/Abs. med. pow. at 80°C	kW	6	7	8.5
Tensione/Voltage	V/Hz	400/50	400/50	400/50
Peso/Weight	kg	190	350	370



Deumidificatori serie D803P-805P
D803P-805P dessicant dryers
 (Dual blower closed loop system)



Abbinamenti - Combinations

	D803P	D804P	D805P
H600	•		
H800	•	•	
H1200		•	•
H1500			•

Dimensioni - Dimensions

		D803P	D804P	D805P
A	mm	900	900	900
B	mm	900	900	900
H	mm	1800	1800	1800
D	mm	63	89	89



Deumidificatori serie D806P-D818P D806P-D818P dessicant dryers (Dual blower closed loop system)

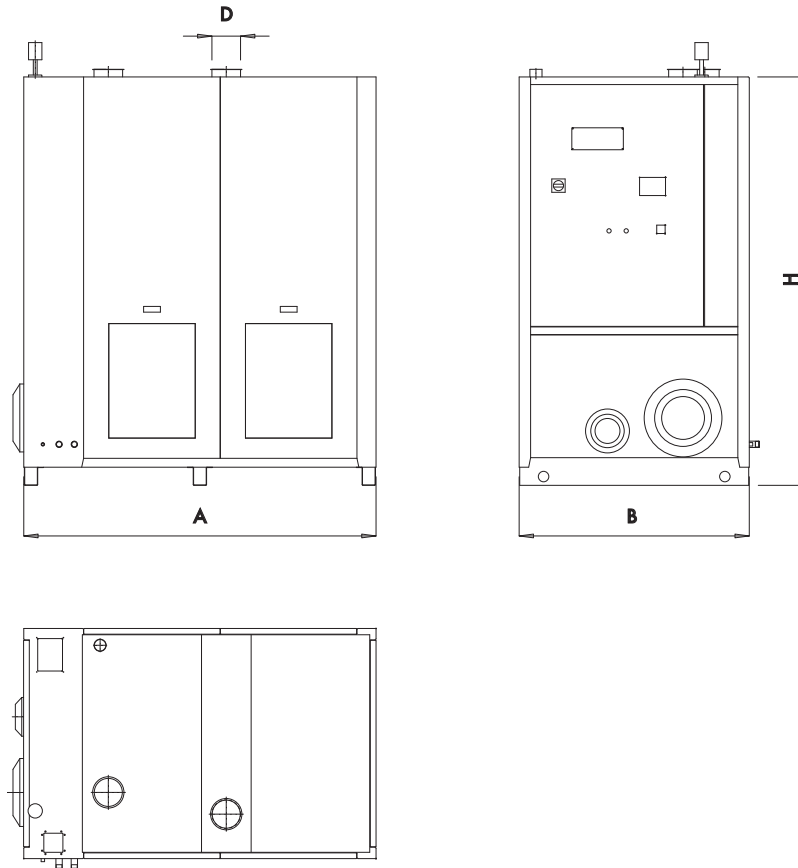


Caratteristiche Tecniche - Technical Specifications

		D806P	D808P	D810P	D815P	D818P
Portata aria/Air flow	m ³ /h	600	750	1000	1350	1450
Temperatura processo Process temperature	NT °C	-	-	-	-	-
	MT °C	60-150	60-150	60-150	60-150	60-150
	HT °C	60-190	60-190	60-190	60-190	60-190
Dew point	°C	-50	-50	-50	-50	-50
Pressione statica/Static pressure	mbar	250	250	200	200	200
Pot. soff. proc./Blow. power of proc.	kW	5,5	7,5	8,5	12,5	15
Pot. soff. rigen./Blow. power of regen.	kW	0,85	0,85	0,85	1,5	1,5
Potenza riscaldamento processo Power heating process	NT kW	-	-	-	-	-
	MT kW	18	24	30	40,5	40,5
	HT kW	24	30	36	54	54
Pot. risc. rigen./Power heating regen.	kW	12	12	12	18	18
Potenza totale installata Installed power total	NT kW	-	-	-	-	-
	MT kW	36,4	44,4	51,4	72,5	75
	HT kW	42,4	50,4	57,4	86	88.5
Pot. media assor. a 80°C/Abs. med. pow. at 80°C	kW	12	14	17	22	25
Tensione/Voltage	V/Hz	400/50	400/50	400/50	400/50	400/50
Peso/Weight	kg	1300	1330	1400	1450	1500



Deumidificatori serie D806P-818P
D806P-818P dessicant dryers
(Dual blower closed loop system)



Abbinamenti - Combinations

	D806P	D808P	D810P	D815P	D818P
H1500	•				
H2000	•	•			
H2500		•	•		
H3000			•		
H3500				•	
H4000				•	
H4500					•

Dimensioni - Dimensions

		D806P	D808P	D810P	D815P	D818P
A	mm	1850	1850	1850	1850	1850
B	mm	1210	1210	1210	1210	1210
H	mm	2180	2180	2180	2180	2180
D	mm	150	150	150	150	150



Deumidificatori serie D820P-D830P D820P-D830P dessicant dryers (Dual blower closed loop system)



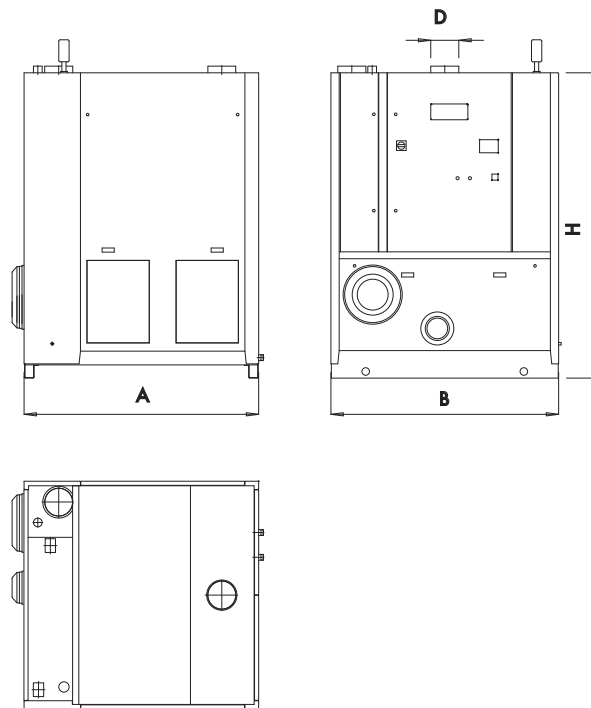
Caratteristiche Tecniche - Technical Specifications

		D820P	D824P	D830P
Portata aria/Air flow	m ³ /h	2200	2600	3000
Temperatura processo Process temperature	NT °C	60-100	60-100	60-100
	MT °C	60-150	60-150	60-150
	HT °C	60-190	60-190	60-190
Dew point	°C	-60	-60	-60
Pressione statica/Static pressure	mbar	200	200	230
Pot. soff. proc./Blow. power of proc.	kW	11+11	12,5+12,5	11+11+11
Pot. soff. rigen./Blow. power of regen.	kW	3	4	4
	NT kW	40,5	40,5	40,5
	MT kW	54	54	81
Pot. risc. rigen./Power heating regen.	HT kW	67,5	81	108
	kW	19,8	24	30
Potenza totale installata Installed power total	NT kW	85,3	93,5	107,5
	MT kW	98,8	107	148
	HT kW	112,3	134	175
Pot. media assor. a 80 °C/Abs. med. pow. at 80 °C	kW	33	37	47
Tensione/Voltage	V/Hz	400/50	400/50	400/50
Peso/Weight	kg	1650	1700	2400

* Quadro elettrico controllo e potenza della camera di processo separato dal deumidificatore. / Electrical cabinet and power supply for process heating booster separated from the dryer.



Deumidificatori serie D820P-D830P
D820P-D830P dessicant dryers
(Dual blower closed loop system)



Abbinamenti - Combinations

	D820P	D824P	D830P
H4500	•		
H5000	•		
H5500	•		
H6000		•	
H7000		•	
H8000		•	•
H9000			•
H10000			•

Dimensioni - Dimensions

		D820P	D824P	D830P
A	mm	1700	1700	1700
B	mm	1650	1650	1650
H	mm	2220	2220	2220
D	mm	203	203	250



Carrello multiramoglia per tramogge H30-200 Multihopper trolley for hoppers H30-200

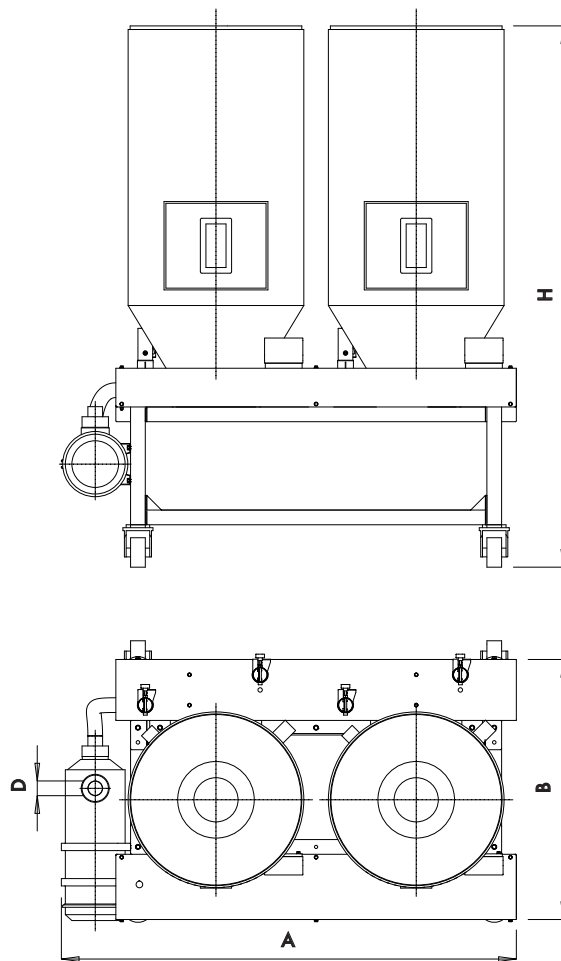


Caratteristiche Tecniche - Technical Specifications

	CD1 50-2H	CD1 50-3H	CD1 50-4H	CD1 50-5H	CD1 50-6H	CD1 89-2H	CD1 89-3H	CD1 89-4H	CD1 89-5H	CD1 89-6H
N° tramogge installabili/N° of hoppers to be fitted	2	3	4	5	6	2	3	4	5	6
Peso/Weight	kg 100	130	195	230	260	105	140	205	245	275



Carrello multiramoglia per tramogge H30-200 Multihopper trolley for hoppers H30-200



Dimensioni - Dimensions

		CD1 50-2H	CD1 50-3H	CD1 50-4H	CD1 50-5H	CD1 50-6H	CD1 89-2H	CD1 89-3H	CD1 89-4H	CD1 89-5H	CD1 89-6H
A	mm	1545	2225	2905	3585	4265	1545	2225	2905	3585	4265
B	mm	833	833	833	833	833	833	833	833	833	833
H	H30	mm	1259	1259	1259	1259	1259	1259	1259	1259	1259
	H50	mm	1479	1479	1479	1479	1479	1479	1479	1479	1479
	H75	mm	1488	1488	1488	1488	1488	1488	1488	1488	1488
	H100	mm	1698	1698	1698	1698	1698	1698	1698	1698	1698
	H150	mm	1838	1838	1838	1838	1838	1838	1838	1838	1838
	H200	mm	2128	2128	2128	2128	2128	2128	2128	2128	2128
D (Pipe)	mm	50	50	50	50	50	89	89	89	89	89