



**Tramogge mantenimento inox
 non coibentate senza coperchio HM - HMX pyrex**
*Non-insulated stainless steel residence
 hoppers without lid HM - HMX pyrex*



Caratteristiche Tecniche - Technical Specifications

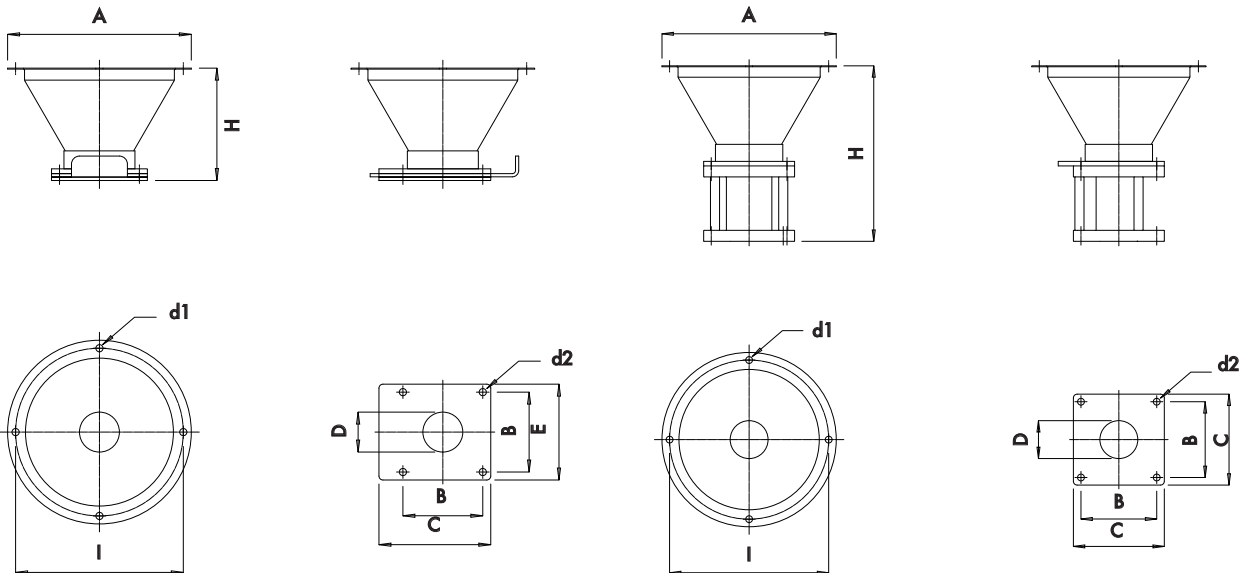
		H2M	H2MX	H3M	H3MX
Capacità tramoggia/Hopper capacity	dm ³	2	2.2	3	3.2
Peso/Weight	kg	3	4	4	5

Abbinamenti - Combinations

	H2M	H2MX	H3M	H3MX
VLM2	X	X		
VLM4	X	X		
VLM5			X	X
LDM2	X	X		
LDM4	X	X		
LDM4			X	X
TMM2	X	X		
TMM4	X	X		
TMM5			X	X



**Tramogge mantenimento inox
 non coibentate senza coperchio HM - HMX pyrex**
*Non-insulated stainless steel residence
 hoppers without lid HM - HMX pyrex*



Dimensioni - Dimensions

		H2M	H2MX	H3M	H3MX
A	mm	230	230	300	300
H	mm	141	232	201	292
d (N° x Ø)	mm	4xM6	4xM6	4xM6	4xM6
I	mm	210	210	280	280
B	mm	100	100	100	100
C	mm	140	120	140	120
D (Ø)	mm	50	50	50	50
E	mm	120	-	120	-
d2 (N° x Ø)	mm	4xØ9	4xØ9	4xØ9	4xØ9



Tramogge mantenimento inox non coibentate Non-insulated stainless steel residence hoppers



Caratteristiche Tecniche - Technical Specifications

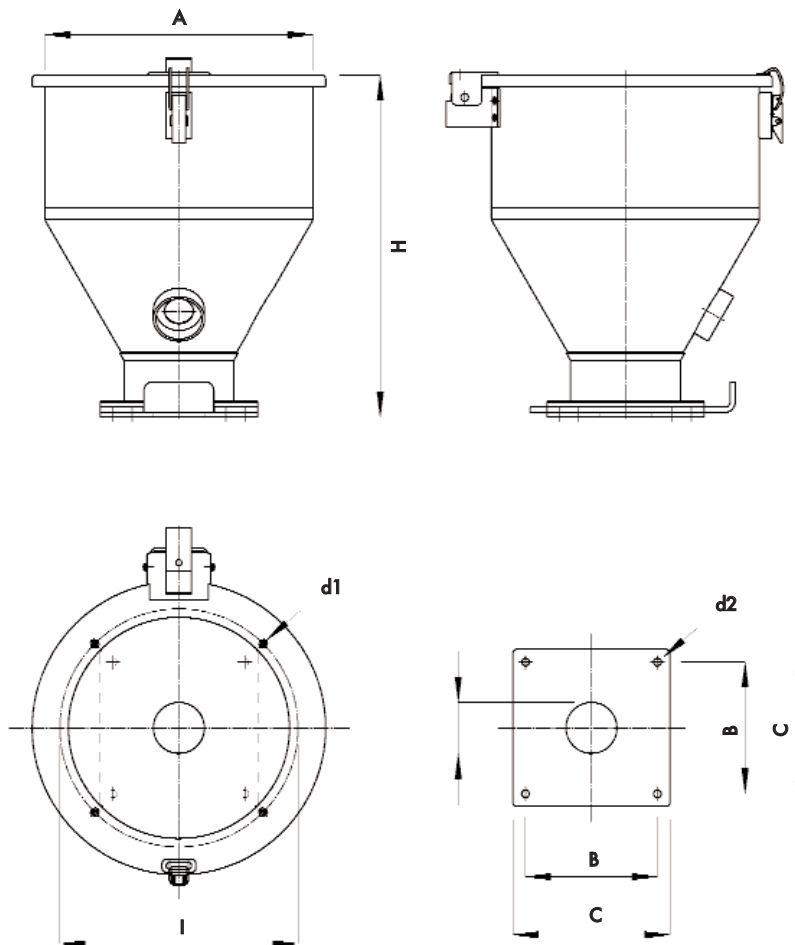
		H5M	H15M	H30M	H50M	H100M
Capacità tramoggia/Hopper capacity	dm ³	5	15	30	50	100
Peso/Weight	kg	8	9	15	18	36

Abbinamenti - Combinations

	H5M	H15M	H30M	H50M	H100M
VLM2	X				
VLM4	X				
VLM5	X				
VLM10		X	X		
LDM2	X				
LDM4	X				
LDM5	X	X			
LDM10		X	X		
LDM25			X	X	
LDM50			X	X	X
LDM80					X
TMM2	X				
TMM4	X				
TMM5	X				
TMM10		X	X		
TMM25			X	X	
TMM50			X	X	X
TMM80					X



Tramogge mantenimento inox non coibentate Non-insulated stainless steel residence hoppers



Dimensioni - Dimensions

		H5M	H15M	H30M	H50M	H100M
A	mm	315	315	394	475	630
H	mm	292	402	506	606	708
d (N°xØ)	mm	4xM6	4xM6	4xM6	4xM6	4xM6
I	mm	280	280	280	280	280
B	mm	155	155	210	210	350
C	mm	185	185	235	235	380
D (Ø)	mm	60	60	76	76	125
d2 (N°xØ)	mm	4xØ9	4xØ9	4xØ9	4xØ9	4xØ13



Tramogge mantenimento inox coibentate Insulated stainless steel residence hoppers



Caratteristiche Tecniche - Technical Specifications

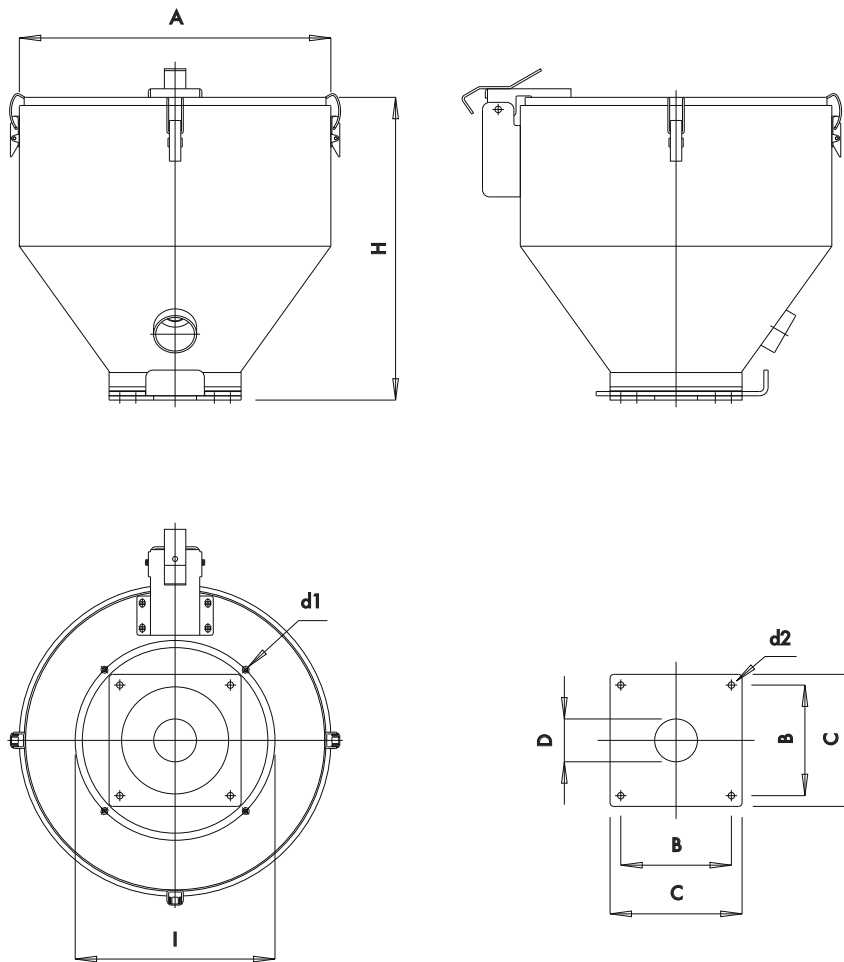
		H5MC	H15MC	H30MC	H50MC	H100MC
Capacità tramoggia/Hopper capacity	dm ³	5	15	30	50	100
Peso/Weight	kg	9	11	18	23	42

Abbinamenti - Combinations

	H5M	H15M	H30M	H50M	H100M
LDM2	X				
LDM4	X				
LDM5	X	X			
LDM10		X	X		
LDM25			X	X	
LDM50			X	X	X
LDM80					X
TMM2	X				
TMM4	X				
TMM5	X				
TMM10		X	X		
TMM25			X	X	
TMM50			X	X	X
TMM80					X



Tramogge mantenimento inox coibentate *Insulated stainless steel residence hoppers*



Dimensioni - Dimensions

		H5MC	H15MC	H30MC	H50MC	H100MC
A	mm	317	424	516	597	832
H	mm	292	437	528	617	719
d (N°xØ)	mm	4xM6	4xM6	4xM6	4xM6	4xM6
I	mm	280	280	280	280	280
B	mm	155	155	210	210	350
C	mm	185	185	235	235	380
D (Ø)	mm	60	60	76	76	125
d2 (N°xØ)	mm	4xØ9	4xØ9	4xØ9	4xØ9	4xØ13